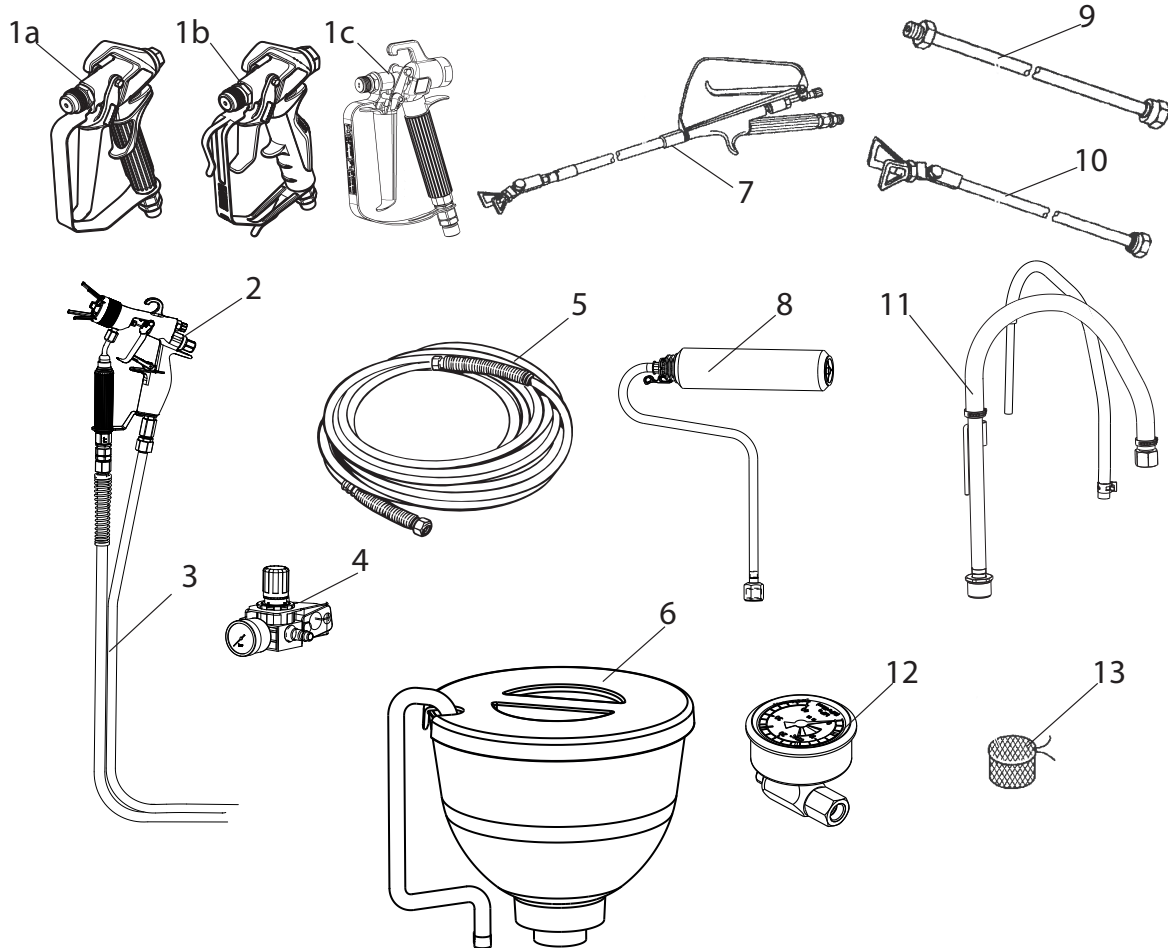


11 SPARE PARTS AND ACCESSORIES

11.1 SUPER FINISH 21 PRO ACCESSORIES



Accessories:

ITEM	DESIGNATION	ORDER NO.
1a	Spray gun Vector Pro (2-finger)	0538 041
	Spray gun Vector Pro (4-finger)	0538 040
1b	Spray gun Vector Grip (2-finger and 4-finger)	0538 043
1c	Spray gun AG-14 (stainless steel)	0502081A
2	AirCoat spray gun AC 4500 (blue)	2368 269
3	Double hose	9984 564
4	AirCoat-controller set	0340 250
5	HP hose DN6-PN270-1/4"NPSM-15m	9984 574
6	Hopper 3.7 l	2444212
7	Pole gun	
	Length 120cm; G thread 7/8"	0296 441
	Length 200cm; G thread 7/8"	0296 442
8	Inner-Feed Roller	2418370

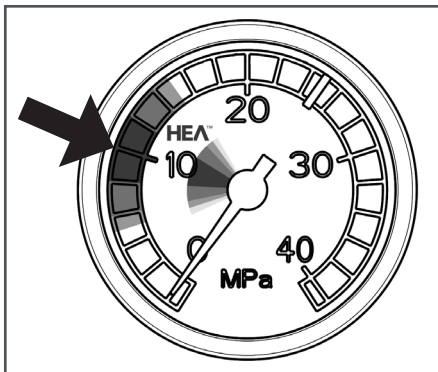
ITEM	DESIGNATION	ORDER NO.
9	Tip extension	
	Length 12.5 cm	2418853
	Length 25 cm	2418854
	Length 50 cm	2418855
	Length 75 cm	2418856
10	Tip extension with Slewable knee joint	
	Length 90 cm	2418862
	Length 180 cm	2418863
11	Suction system (flexible)	2444485
12	Pressure gauge (HEA)	2383 995
13	Filter bag, mesh width 0,3 mm	0097 531



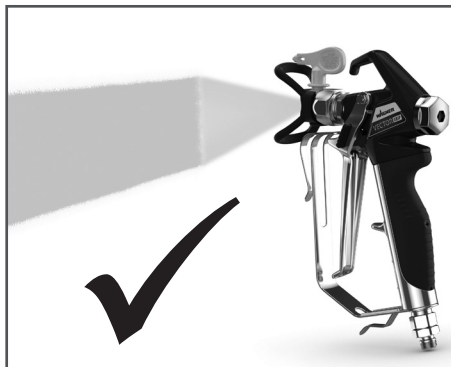
HEA NOZZLES FOR LOW-MIST SPRAYING AT LOW PRESSURE

HEA stands for High Efficiency Airless, an innovative nozzle technology revolutionising airless spraying. HEA nozzles allow the pressure of the spray device to be reduced right down and allow it to work in the low-pressure range (ideally at 80 - 140 bar). The nozzles can be used with all TradeTip 3 nozzle holders and WAGNER devices.

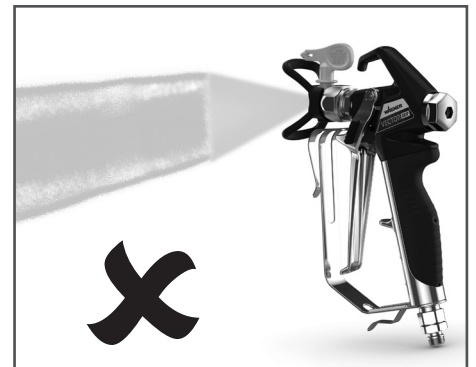
Some paints may need to be diluted to achieve the best result possible. The experts at Wagner application technology have therefore tested a wide range of materials for you. Their recommendations can be found in the Wagner Spray Guide at sprayguide.wagner-group.com.



Set the low pressure in the HEA range and start.



Even spray pattern without spray edges.



If edges are visible, slowly increase the pressure.

HEA tip table



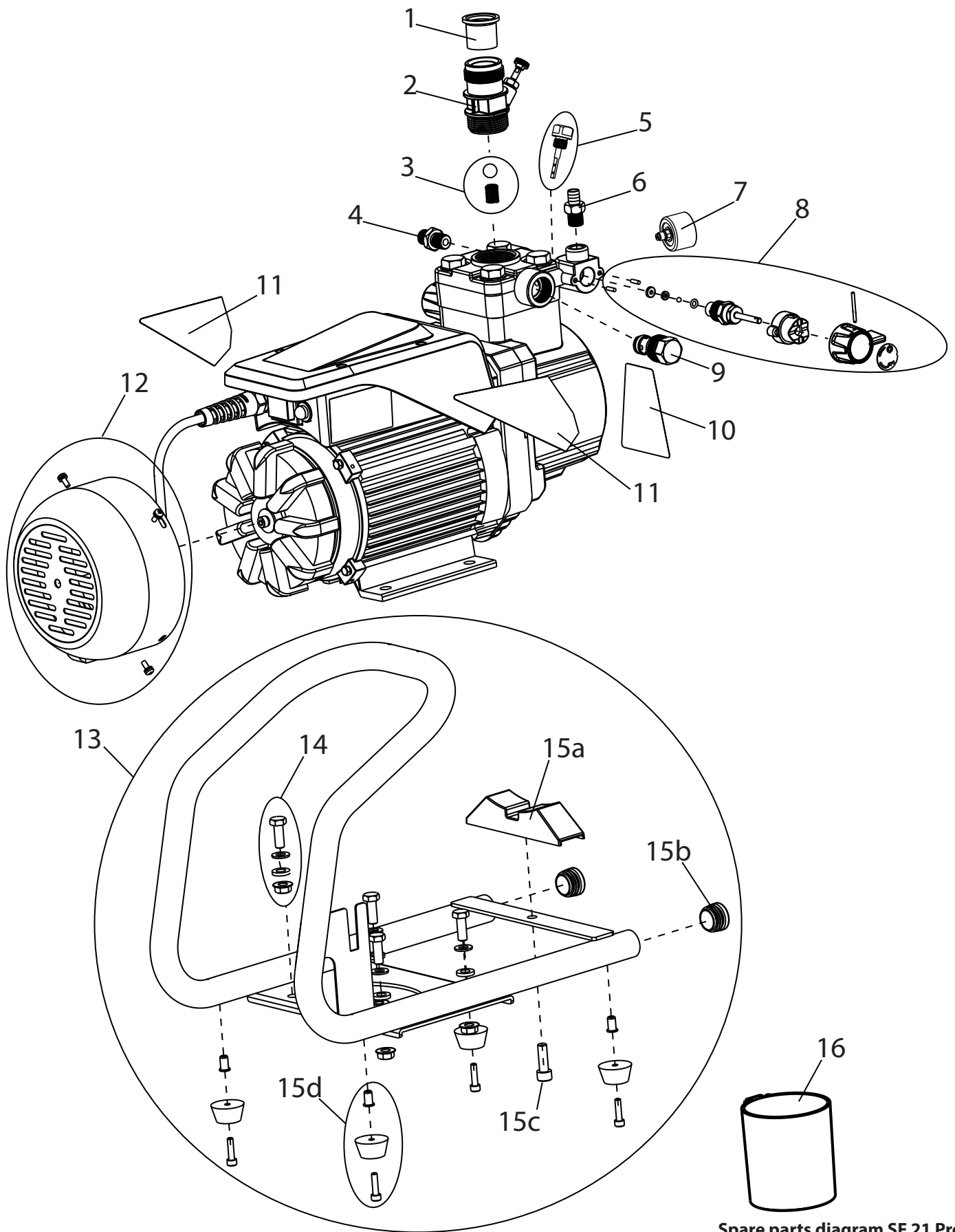
All of the tips in the table below are supplied together with the appropriate gun filter.

Application	Tip marking	Spray angle	Bore inch / mm	Spraying width mm 1)	Gun filter	Order no.
Synthetic-resin paints PVC paints	211	20°	0.011 / 0.28	120	red	0554211
	311	30°	0.011 / 0.28	150	red	0554311
	411	40°	0.011 / 0.28	190	Rot	0554411
Paints, primers Fillers	213	20°	0.013 / 0.33	120	red	0554213
	313	30°	0.013 / 0.33	150	red	0554313
	413	40°	0.013 / 0.33	190	red	0554413
Fillers Rust protection paints	415	40°	0.015 / 0.38	190	yellow	0554415
	515	50°	0.015 / 0.38	225	yellow	0554515
	615	60°	0.015 / 0.38	270	yellow	0554615
Rust protection paints Latex paints Dispersions	417	40°	0.017 / 0.43	190	white	0554417
	517	50°	0.017 / 0.43	225	white	0554517
	617	60°	0.017 / 0.43	270	white	0554617
Rust protection paints Latex paints Dispersions	519	50°	0.019 / 0.48	225	white	0554519
	619	60°	0.019 / 0.48	270	white	0554619
Flame retardant	421	40°	0.021 / 0.53	190	white	0554421
	521	50°	0.021 / 0.53	225	white	0554521
	621	60°	0.021 / 0.53	270	white	0554621

1) Spray width at about 30 cm to the object and 100 bar (10 MPa) pressure with synthetic-resin paint 20 DIN seconds.

11.2 SPARE PARTS SF 21 PRO

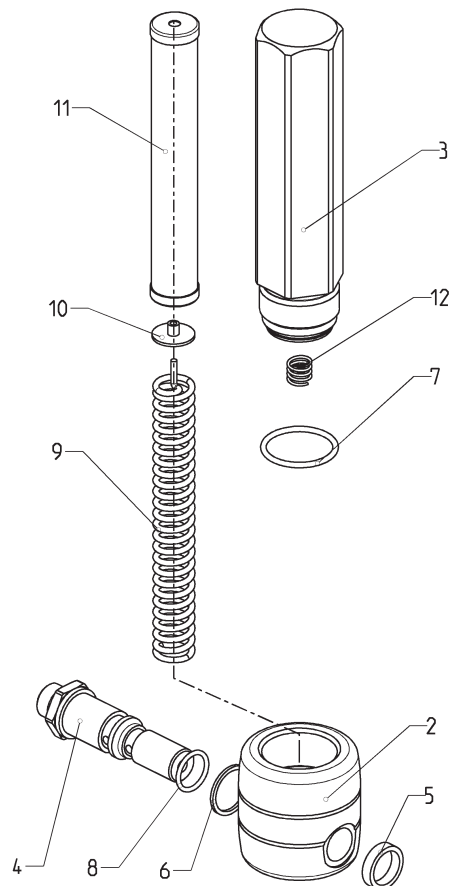
ITEM	ORDER NO.	DESIGNATION
1	2452215	Inlet
2	2443908	Inlet valve housing assy. (incl. pos. 1)
3	2443943	Inlet valve
4	2443952	Fitting
5	2443941	Oil level measuring set
6	2443942	Fitting
7	0252776	Pressure gauge
8	2443921	Pressure relief valve assy.
9	2443904	Outlet valve
10	2438683	Label SF 21 Pro
11	2445241	Label (righ+left)
12	2443944	Cover assy.
13	2443855	Rack cpl.
14	2444508	Screw set (4 pcs.)
15	2444509	Small parts set (incl. pos. 15a, 15b (2x), 15c, 15d (4x))
16	2443953	Cleaning cup



Spare parts diagram SF 21 Pro

11.3 SPARE PARTS LIST HIGH-PRESSURE FILTER

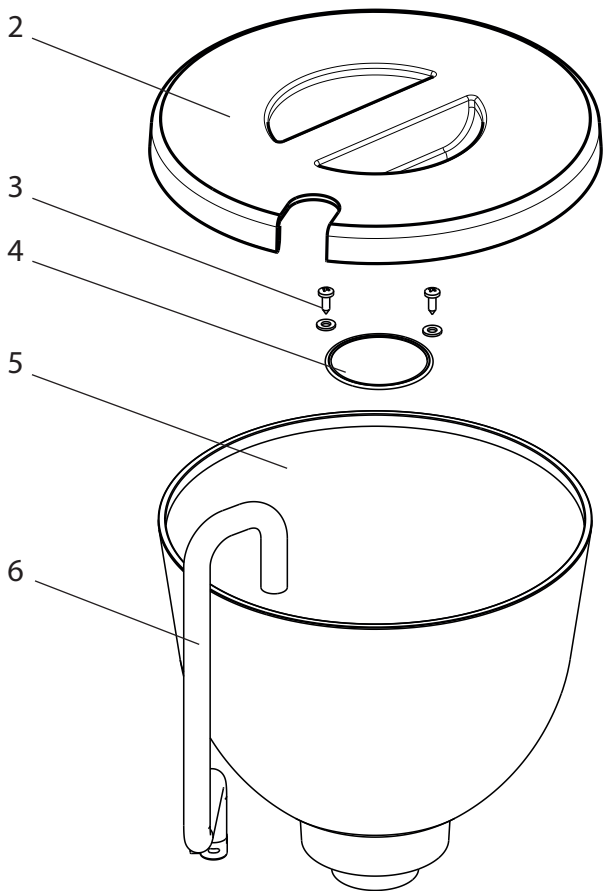
ITEM	ORDER NO.	DESIGNATION
1	0097 121	High-pressure filter HF- 01 compl.
2	0097 301	Filter block
3	0097 302	Filter housing
4	0097 303	Hollow screw
5	0097 304	Seal ring
6	9970 110	Seal ring
7	9974 027	O-ring 30x2 (PTFE)
8	9971 401	O-ring 16x2 (PTFE)
9	0508 749	Bearing spring
10	0508 603	Bearing ring
11	0508 748	Filter insert 60 meshes
	0508 450	Optional: Filter insert 100 meshes
	0508 449	Filter insert 30 meshes
12	9994 245	Pressure spring



Spare parts diagram high-pressure filter

11.4 SPARE PARTS LIST HOPPER

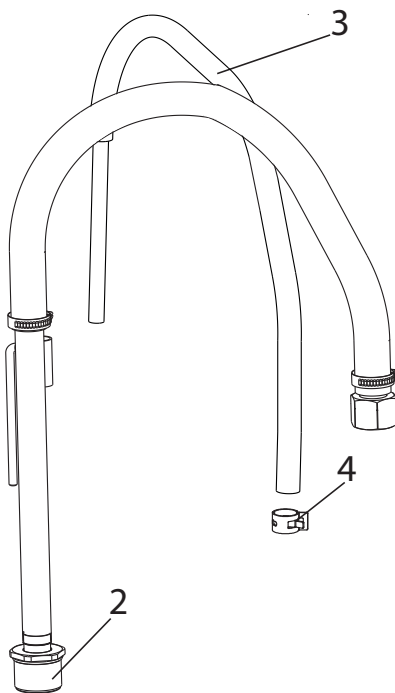
ITEM	ORDER NO.	DESIGNATION
1	2444212	Hopper 3.7 l, assy. (pos. 2-6)
2	2445295	Cover
3	9902 306	Sheet metal screw 3,9x13 (2)
4	0037 607	Filter disk, mesh width 0,8 mm
	0003 756	Optional: Filter disk, mesh width 0,4 mm
5	2445298	Hopper
6	2445297	Return pipe



Spare parts diagram hopper

11.5 SPARE PARTS LIST SUCTION SYSTEM

ITEM	ORDER NO.	DESIGNATION
1	2444485	Suction system assy.
2	2444491	Suction filter
3	2444493	Return hose
4	2444494	Clamp



Spare parts diagram suction system

TESTING OF THE UNIT

For safety reasons, we would recommend having the device checked by an expert as required but at least every 12 months to ensure that it can continue to operate safely.

In the case of unused devices, the check can be postponed until they are next started up.

All (potentially deviating) national inspection and maintenance regulations must also be observed.

If you have any questions, please contact the customer service team at Wagner.

IMPORTANT INFORMATION ON PRODUCT LIABILITY

According to an EU directive, the manufacturer is only liable without limitation for faults in the product if all parts come from the manufacturer or have been approved by the manufacturer and have been mounted to the device and are operated properly. If third-party accessories or spare parts are used, the manufacturer is exonerated wholly or partly from his/her liability if use of the third-party accessories or spare parts have caused a defect in the product. In extreme cases, the relevant authorities can completely prohibit using the entire device.

With original WAGNER accessories and spare parts, compliance with all safety regulations is guaranteed.

NOTE ON DISPOSAL

In observance of the European Directive 2002/96/EC on waste electrical and electronic equipment and implementation in accordance with national law, this product is not to be disposed of together with household waste material but must be recycled in an environmentally friendly way!



Wagner or one of our dealers will take back your used Wagner waste electrical or electronic equipment and will dispose of it for you in an environmentally friendly way. Please ask your local Wagner service centre or dealer for details or contact us direct.

3 + 2 YEAR GUARANTEE ON THIS WAGNER CRAFTSMAN PRODUCT (Status 03.03.2022)

WAGNER exclusively provides the commercial buyer who has purchased the product from an authorised specialist dealer (hereinafter referred to as the „Customer“) with a warranty for the products listed on the Internet at <https://go.wagner-group.com/3plus2-info> in addition to the statutory warranty regulations, unless there is a warranty exclusion.

The warranty period for WAGNER products (devices) in the craftsmen's sector is 36 months and begins with the date of purchase of the initial purchase. This warranty period is extended by a further 24 months if the product is registered within

28 days of purchase on the Internet at <https://go.wagner-group.com/3plus2>.

In cases of commercial rental, industrial use (e.g. use in shift operation) or equivalent use, the warranty period is 12 months due to the significantly higher load. We reserve the right to carry out a check in individual cases and refuse the warranty where necessary.

If any material, machining or performance defects are identified in the device within the warranty period, then the warranty claims must be made immediately and within a period of no more than 2 weeks following discovery of the defect.

The detailed guarantee conditions can be obtained on request from our authorised WAGNER partners (see website or operating instructions) or in text form on our website:

<https://go.wagner-group.com/pf-warranty-conditions>



Subject to modifications

EU Declaration of conformity

We declare under sole responsibility that this product conforms to the following relevant stipulations: 2006/42/EC, 2014/30/EU, 2011/65/EU, 2012/19/EU

Applied harmonised norms:

EN ISO 12100, EN 1953, EN 62841-1, EN IEC 55014-1, EN IEC 55014-2, EN IEC 61000-3-2, EN 61000-3-3

The EU declaration of conformity is enclosed with the product. If required, it can be re-ordered using order number **2448573**.

UKCA Declaration of conformity

We declare under sole responsibility that this product conforms to the following relevant regulations:

Supply of Machinery (Safety) Regulations 2018
Electromagnetic Compatibility Regulations 2016
The Restriction of the Use of Certain Hazardous Substances in Electrical and Electronic Equipment Regulations 2012
The Waste Electrical and Electronic Equipment Regulations 2013

Applied harmonised standards

BS EN ISO 12100, BS EN 62841-1, BS EN 1953, BS EN IEC 55014-1, BS EN IEC 55014-2, BS EN IEC 61000-3-2, BS EN 61000-3-3